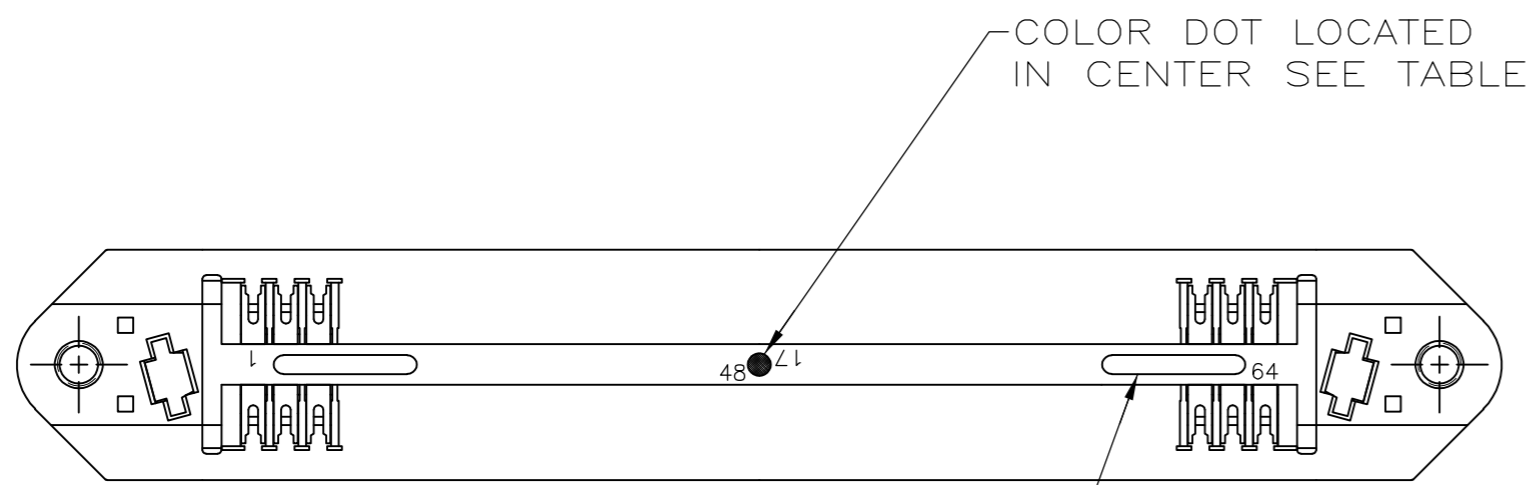
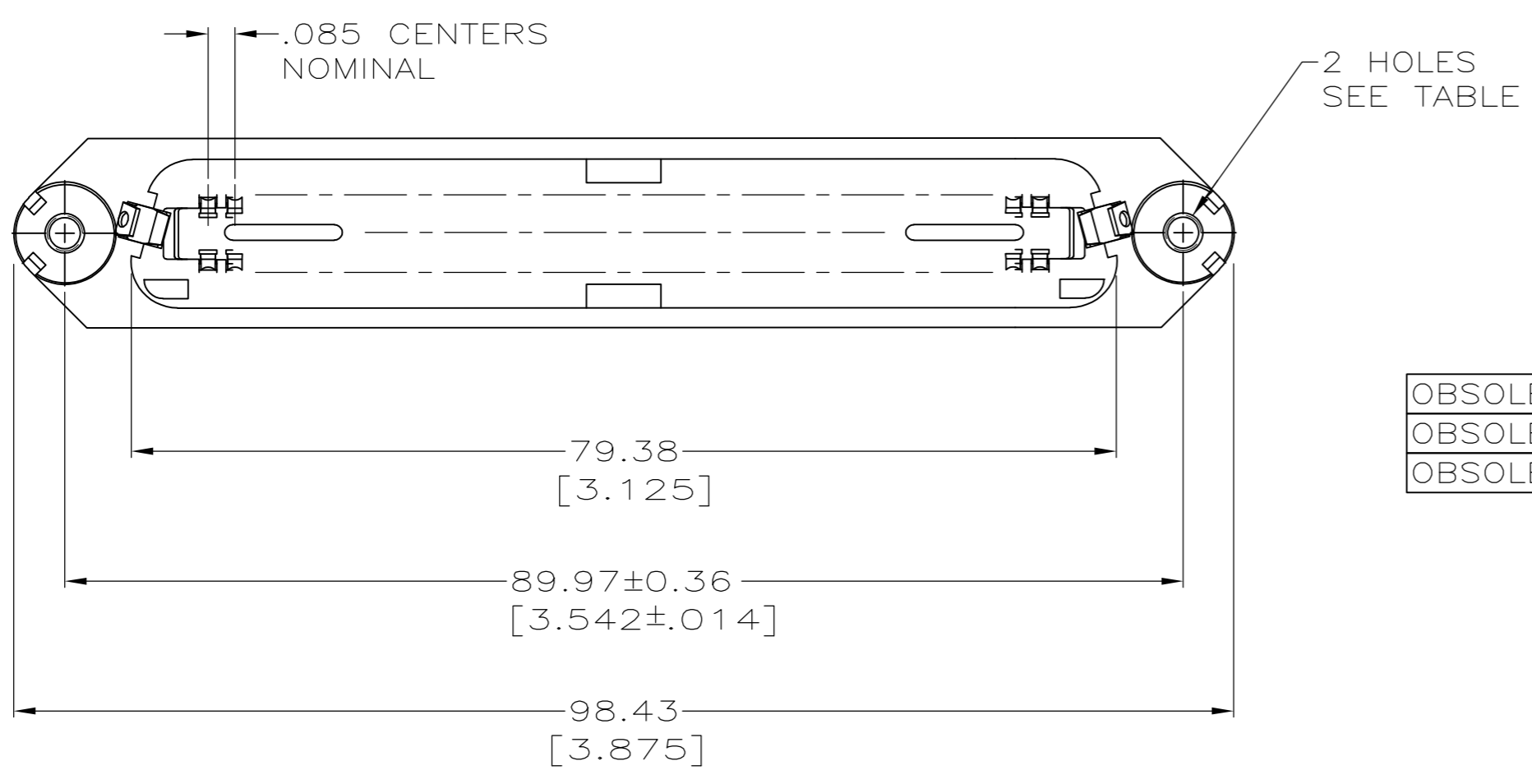
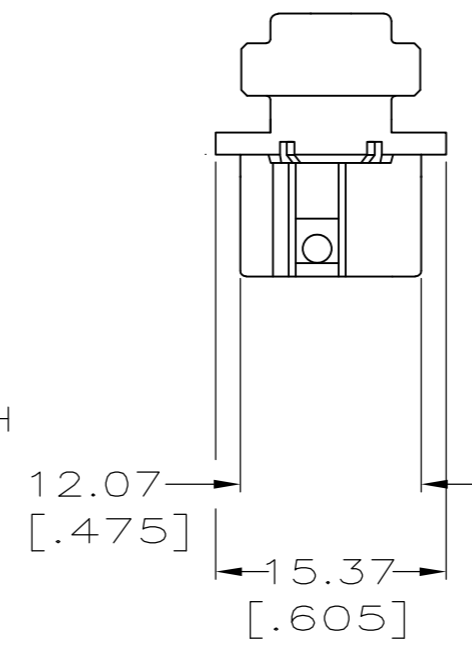
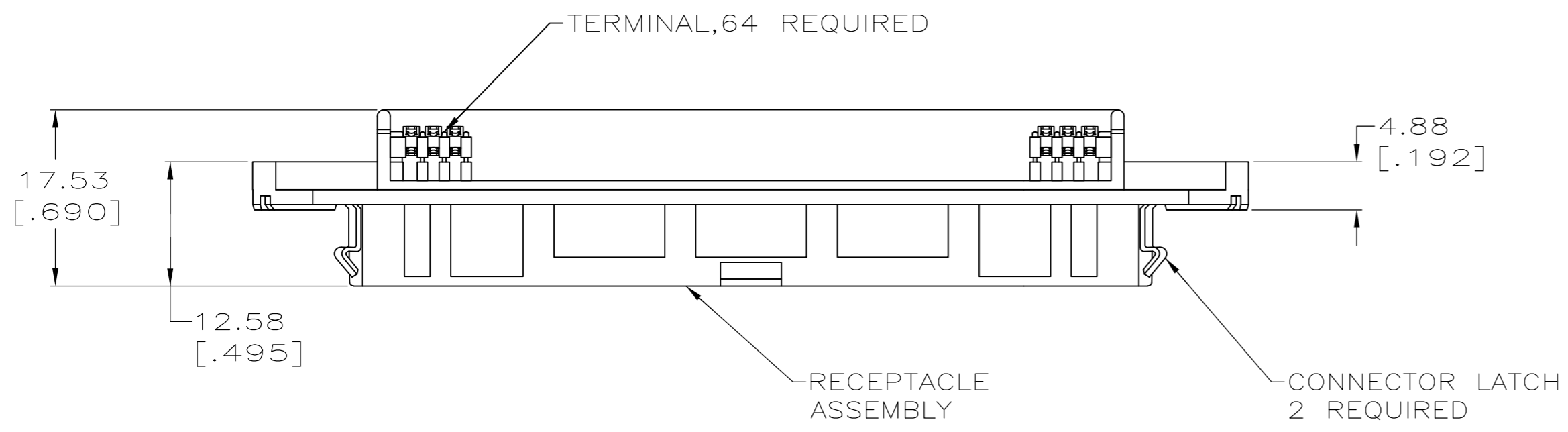


THIS DRAWING IS UNPUBLISHED. RELEASED FOR PUBLICATION  
 © COPYRIGHT BY TYCO ELECTRONICS CORPORATION. ALL RIGHTS RESERVED.

LOC	DIST	REVISIONS			
P	LTR	DESCRIPTION	DATE	DWN	APVD
GP	00	N	REVISED PER ECO-08-007327	05SEP08	BM WM



- △ MATERIAL: HOUSING – POLYPHENYLENE OXIDE. TERMINAL – HIGH STRENGTH COPPER ALLOY PLATED WITH 0.76μm [.000030] MIN GOLD OR GOLD FLASH OVER PALLADIUM NICKEL PLATE, 0.76μm [.000030] MIN TOTAL ON MATING SURFACE, OVER 1.27μm [.000050] MIN NICKEL PLATING. LATCH – BRIGHT ZINC PLATED STEEL.
- 2. THE CONTACT SURFACES OF THE TERMINALS ARE COATED WITH LUBRICANT.
- △ ALL DIMENSIONS SHOWN ARE MAXIMUM UNLESS OTHERWISE SPECIFIED.
- △ WIRE SIZE: 24 & 26 AWG SOLID OR 24 AWG 7 STRANDS OF COPPER CONDUCTORS. MAXIMUM INSULATION DIAMETER OF .045 IS ACCEPTABLE FOR MOST APPLICATIONS.
- △ WIRE SIZE: 22 AWG SOLID OR STRANDED COPPER CONDUCTORS. MAXIMUM INSULATION DIA. OF .056 IS ACCEPTABLE FOR MOST APPLICATIONS.
- △ CORING MAY OR MAY NOT APPEAR AND IS AT THE DISCRETION OF AMP INCORPORATED.



OBSOLETE	∅.182-.192	BLUE	B 4	BLACK	1-554381-0
OBSOLETE	4-40 UNC-2B	BROWN	F 5	BLACK	554381-9
OBSOLETE	∅.130-.140	BLUE	B 4	BLACK	554381-8
SUPERSEDED BY 554381-2					554381-5
SUPERSEDED BY 554381-2					554381-4
4-40 UNC-2B	BLUE	B 4	BLACK	554381-2	554381-1
HOLE SIZE	COLOR DOT	SLOT SIZE	COLOR	PART NUMBER	

THIS DRAWING IS A CONTROLLED DOCUMENT.		DWN G. GARRETT 06DEC96	Tyco Electronics Corporation Harrisburg, PA 17105-3608		
DIMENSIONS: mm [INCHES]		CHK D. STRAUSSER 06DEC96	NAME M. HUGHES 06DEC96		
TOLERANCES UNLESS OTHERWISE SPECIFIED:		APVD M. HUGHES 06DEC96	PRODUCT SPEC		
0 PLC ± -		APPLICATION SPEC			
1 PLC ± -		WEIGHT			
2 PLC ± -		SCALE			
3 PLC ± -		SHEET			
4 PLC ± -		REV			
ANGLES ± -		CUSTOMER DRAWING			
FINISH		RESTRICTED TO			